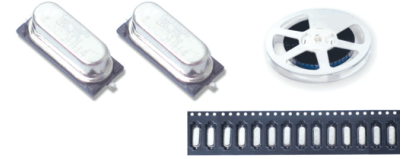


QUARTZ CRYSTAL UNITS



SPECIFICATION OF QUARTZ CRYSTAL UNITS

1.HOLDER TYPE: HC-49S/SMD 8.000 MHz

2.GENERAL

2-1 FREQUENCY (F0)	8.000 MHz
2-2 MODE OF OSCILLATION (Mn)	FUNDAMENTAL
2-3 OPERATION TEMPERATURE RANGE (T ₀)	-20°C ~ +70°C
2-4 STORAGE TEMPERATURE RANGE (T _s)	-55°C ~ +125°C
2-5 TEST SET	S&A 250B ANALYSIS SYSTEM
2-6 DRIVE LEVEL (DL)	10±2μw
2-7 LOADING CAPACITANCE (CL)	20pF

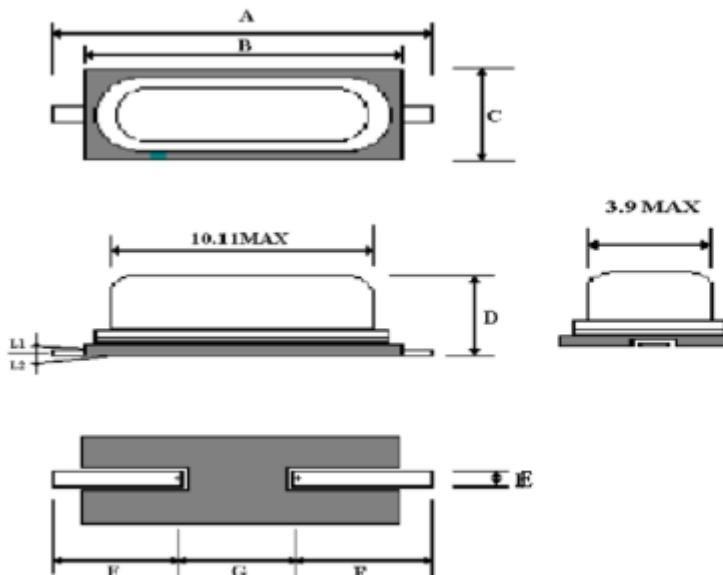
3.ELECTRICAL CHARACTERISTICS

(This test shall be performed under the condition of temperature at 25±3°C.)

3-1 FREQUENCY TOLERANCE (Δf)	±10ppm Max
3-2 EQUIVALENT RESISTANCE (R _r)	40 ΩMax/Series
3-3 TEMPERATURE DRIFT (T _c)	±20ppm/ Max (-20°C ~ +70°C)
3-4 SHUNT CAPACITANCE (C ₀)	2.3±0.3pF
3-5 INSULATION RESISTANCE	500MΩmin/DC 100V±15V (Lead to lead ,case to lead)
3-6 AGING	±2 ppm Max/Year

4.DIMENSIONS AND MARKING

4-1 HOLDER TYPE HC-49S/SMD
4-2 DIMENSION (mm)



Items	Size(mm)
A	12.5±0.4
B	11.4±0.3
C	4.8±0.1
D	3.8±0.3
E	0.75±0.3
F	4.5 MAX
G	4.88±0.2
L1	0.1 MAX
L2	0.1 MAX